

LOCKABLE GAS SPRING

Release mechanisms

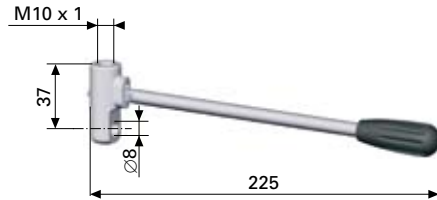


110. Control head with lever

For direct control of valve opening mechanism.

Material: Head in zinc, lever in steel with plastic handle.

Cat. no. 4622



300. Control head

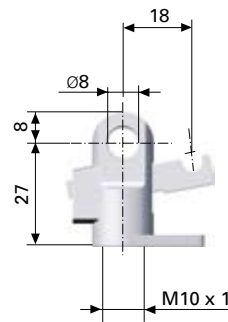
For remote control of valve opening mechanism via wires.

Approx. 8 mm wire movement required

Loop thickness: 11 mm

Material: Zinc

Cat. no. 8050



310. Control head light

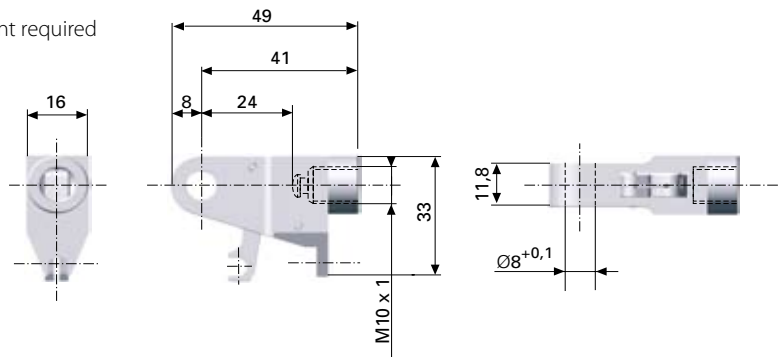
For remote control of valve opening mechanism via wires.

Release force only 2% of F1

Approx. 23 mm wire movement required

Material: Zinc

Cat. no. 9819



LOCKABLE GAS SPRING

Control cables

Complete with fittings and adjuster screw

Wire diameter: 1.25 mm

Black outer casing, diameter: 4.6 mm

Adjustment screw: M5x16

Fitting: L=7.0 x Ø=5.0

Type A

With fittings on both ends.

Maximum wire movement 20 mm

No.	Length, mm	Cat. no.
500	500	9426
501	750	9427
502	1000	9428
503	1500	9429



Type B

With fittings on both ends.

Maximum wire movement 33 mm

No.	Length, mm	Cat. no.
510	500	9430
511	750	9431
512	1000	9432
513	1500	9433



Type C

With fitting on one end and the other end free for screw locking, in handles for example.

Maximum wire movement 33 mm

No.	Length, mm	Cat. no.
520	500	9434
521	750	9435
522	1000	9436
523	1500	9437



LOCKABLE GAS SPRING

Control handles



For wire control of control head

All dimensions are in mm

400 and 401. Control handle

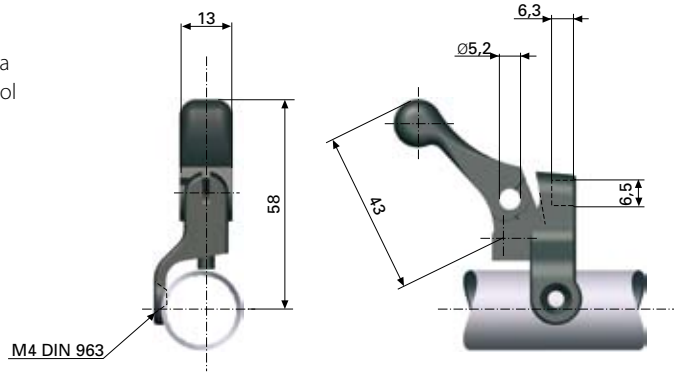
Fits wire type A.

Compatible with control head no. 300 on a gas spring with $F_1 = \max 500 \text{ N}$ and control head no. 310.

Fitted on pipe $\varnothing 22 \text{ mm}$

Material: Zinc / plastic

No.	fitting	Cat. no.
400	Left	9421
401	Right	9422



402. Control handle

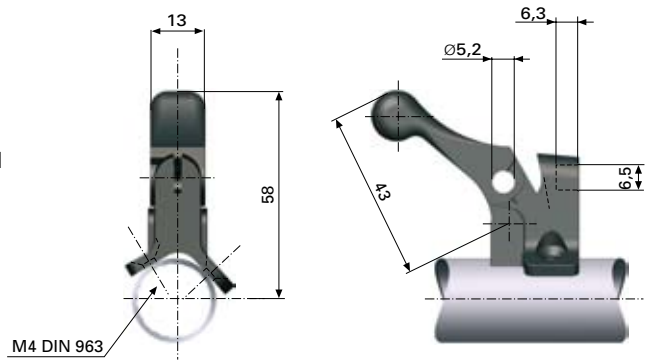
Fits wire type A.

Compatible with control head no. 300 on a gas spring with $F_1 = \max 500 \text{ N}$ and control head no. 310.

Fitted on pipe $\varnothing 20\text{-}25 \text{ mm}$

Material: Zinc / plastic

Cat. no. 9423



410. Control handle

Fits wire type C.

Compatible with control head no. 300.

Fitted on pipe $\varnothing 22 \text{ mm}$

Material: Zinc / plastic

Cat. no. 9425

