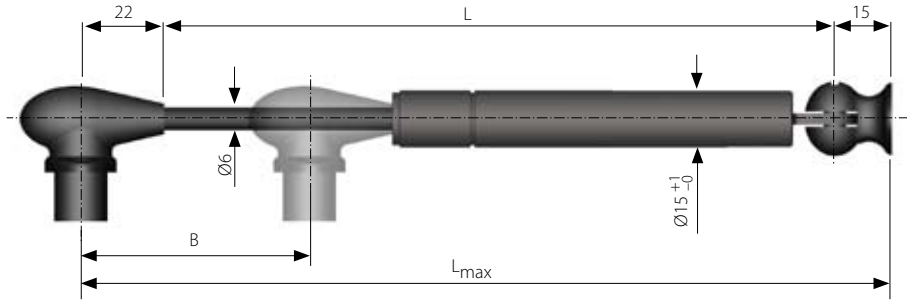


GAS SPRINGS

Type 15-6 EF



Conventional gas spring for furniture applications

Ideal for overhanging doors. Available in two variants, which cover most requirements. Plastic end fittings are included.

All dimensions are in mm

L_{max} = Length +/- 2

B = Stroke

F1 = Spring force in Newtons

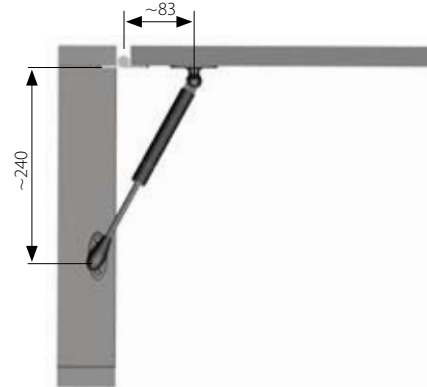
Extension speed: ~ 0.1 m/s

Colours: Black products are supplied with black end fittings 8962 and 8963. Grey products have a chrome piston rod and are supplied with grey end fittings 1116 and 1117. See page 188.

1 kp = 9.80665 Newtons, 1 Newton = 0.10197 kp

L_{max}	L	B	F1	Colour	Cat. no.
259	222	90	100	Black	0883
259	222	90	150	Black	0884
259	222	90	100	Grey	0885
259	222	90	150	Grey	0886

Fitting instructions



Choice of force and number of gas springs

